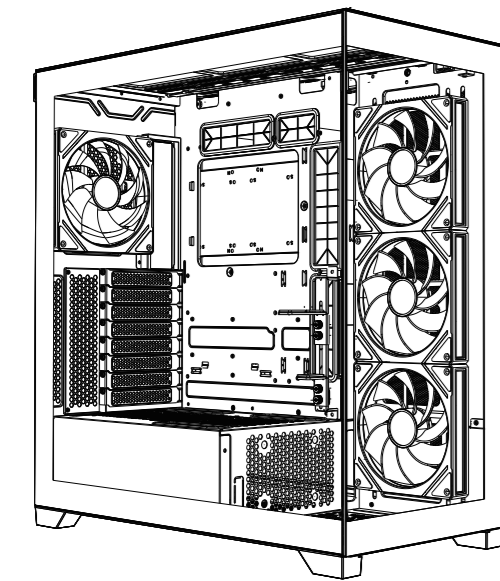


105mm

148.5mm





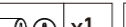
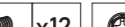





Vanguard-F2-BK/Vanguard-F2-W

**Dear customers**  
 Thanks for purchasing our computer case. Please read through the entire manual before installation. If you received your case damaged, missing parts or having any other questions, please feel free to email us at support@mydiypcusa.com.

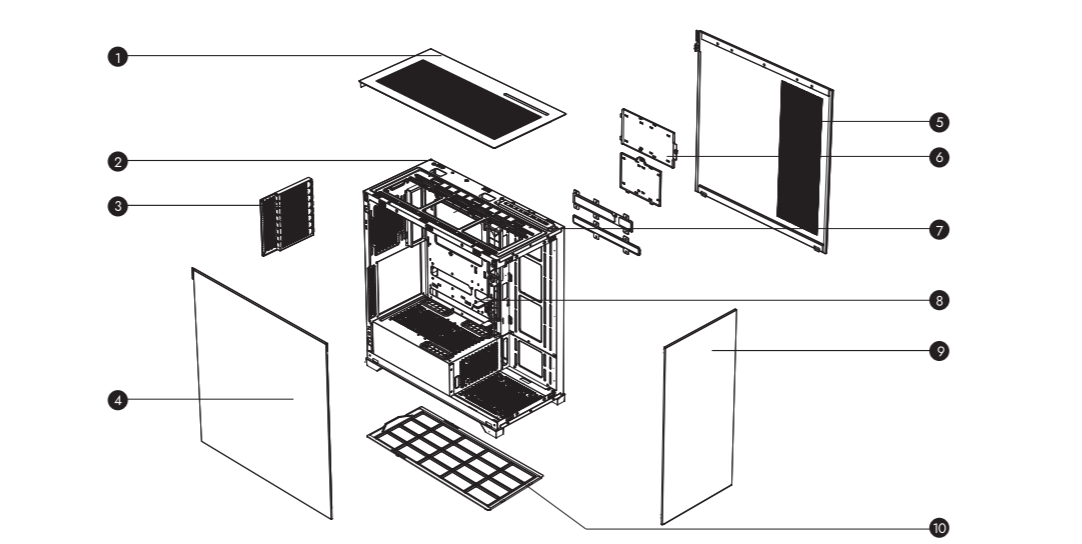
**Warning**  
 Installation must be performed with power supply off at all time, otherwise electrical damage on the computer case may occur. Please double check on all the connections before turning on the power supply for testing.

**General information of DIYPC support**  
 We provide 1 year manufacturer warranty on all computer cases we sell, for all the components, including all the electronic parts such as fans, audio jet, power switch etc. But we do not cover shipping damage or physical damage or any wear and tear, or any damage due to installation, or any damage due to improper usage.

**ACCESSORIES**

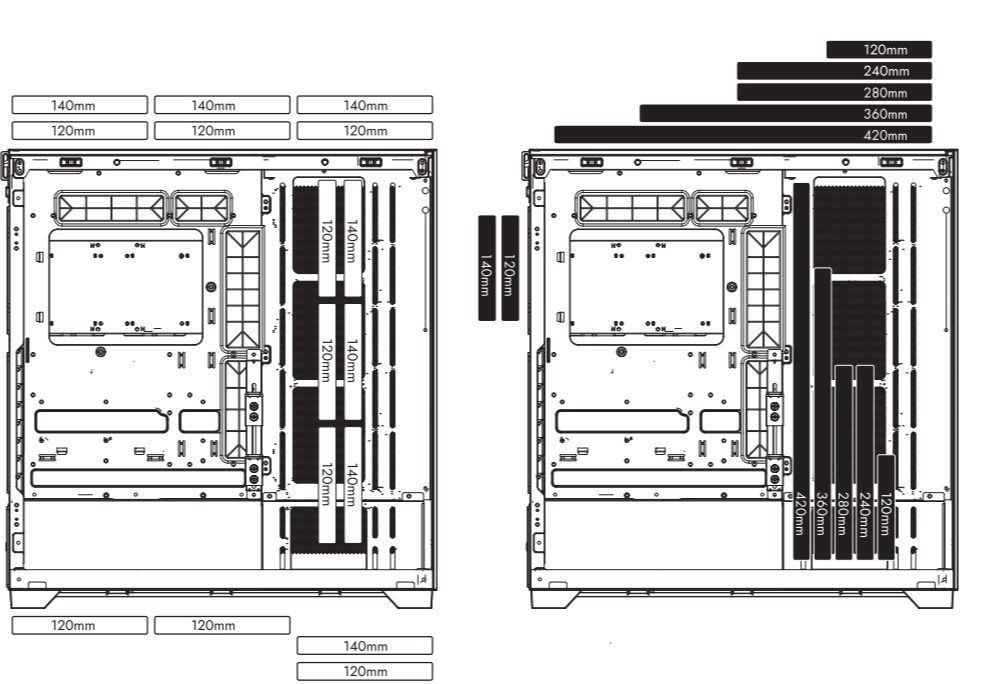
-  x29  
M/B SCREWS / SSD SCREWS
-  x3  
MOTHERBOARD STAND
-  x1  
COPPER PILLAR SLEEVE
-  x12  
HDD SCREWS
-  x6  
PSU SCREWS
-  x6  
ZIP TIE
-  x1  
BUZZER
-  x2  
SNAP BUCKLE
-  x1  
PLASTIC BOX

**EXPLODED VIEW**

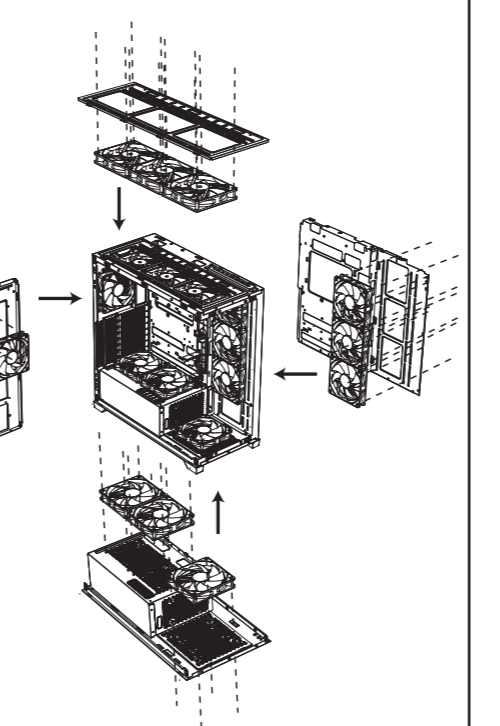


- |                   |                            |                              |
|-------------------|----------------------------|------------------------------|
| No. PART NAME     | 4.Left Tempered Glass Side | 8.VGA Holder                 |
| 1.Top Panel       | 5.Right Side               | 9.Front Tempered Glass Panel |
| 2.Main Body       | 6.SSD/HDD Bracket          | 10.Bottom Dust Filter        |
| 3.PCIE Slot Cover | 7.I/O Module               |                              |

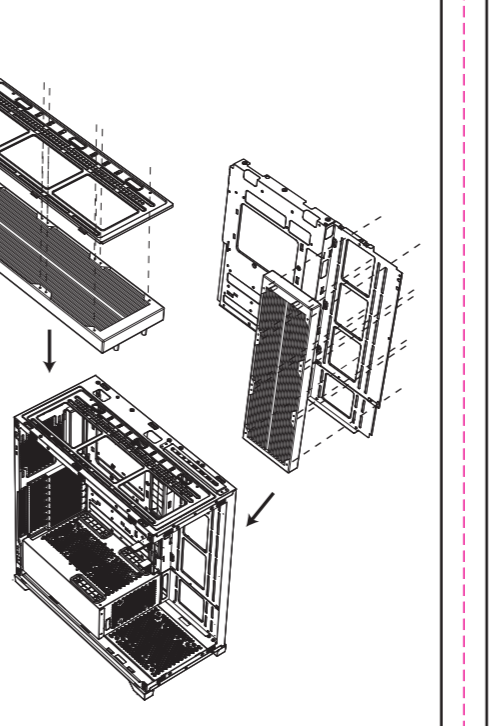
**FAN AND RADIATOR ASSEMBLING**



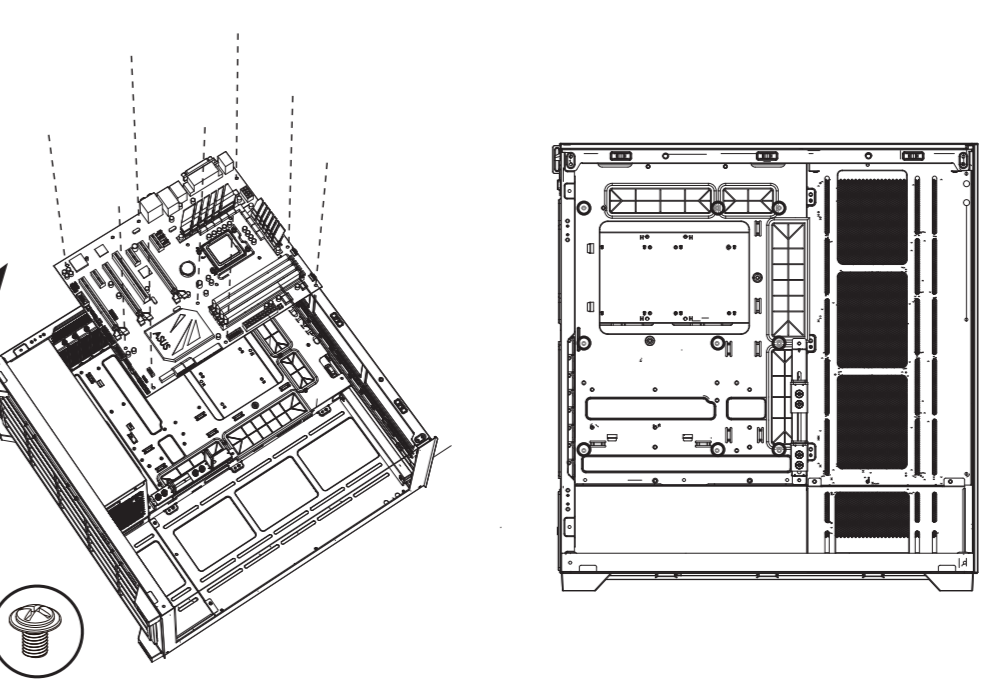
**FAN INSTALLATION**



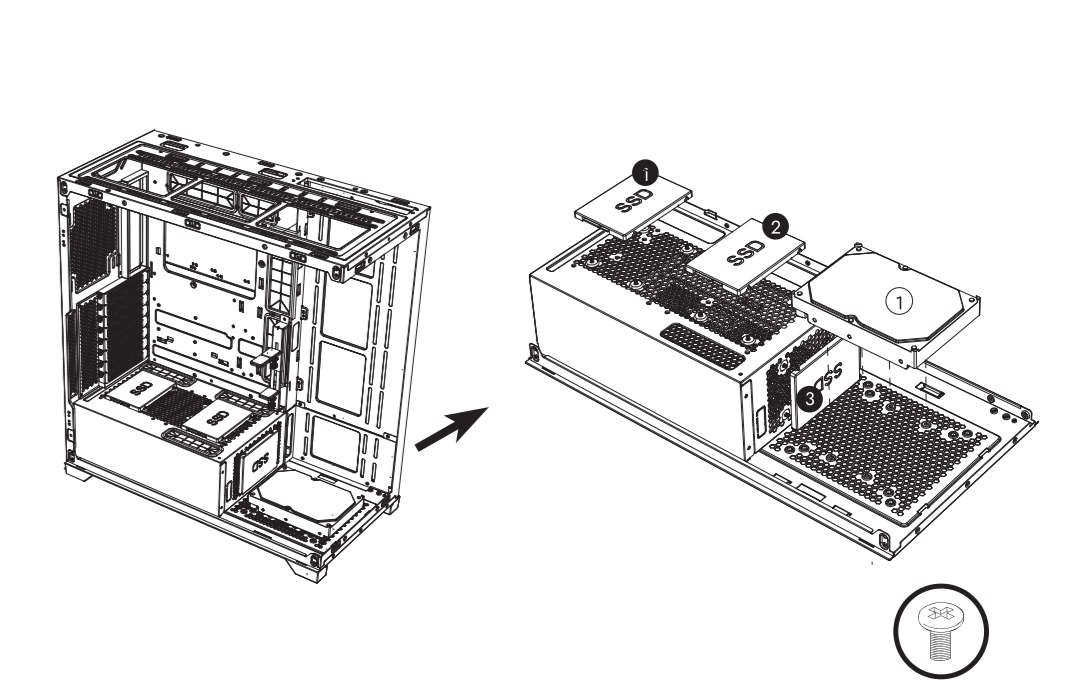
**RADIATOR INSTALLATION**



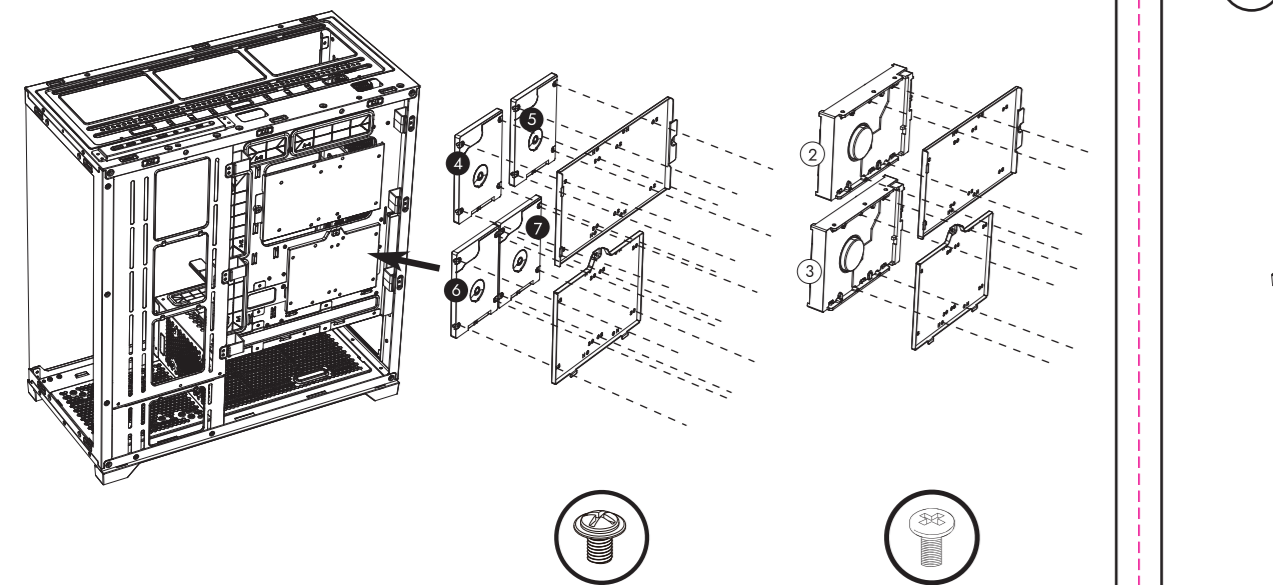
**MOTHERBOARD ASSEMBLING**



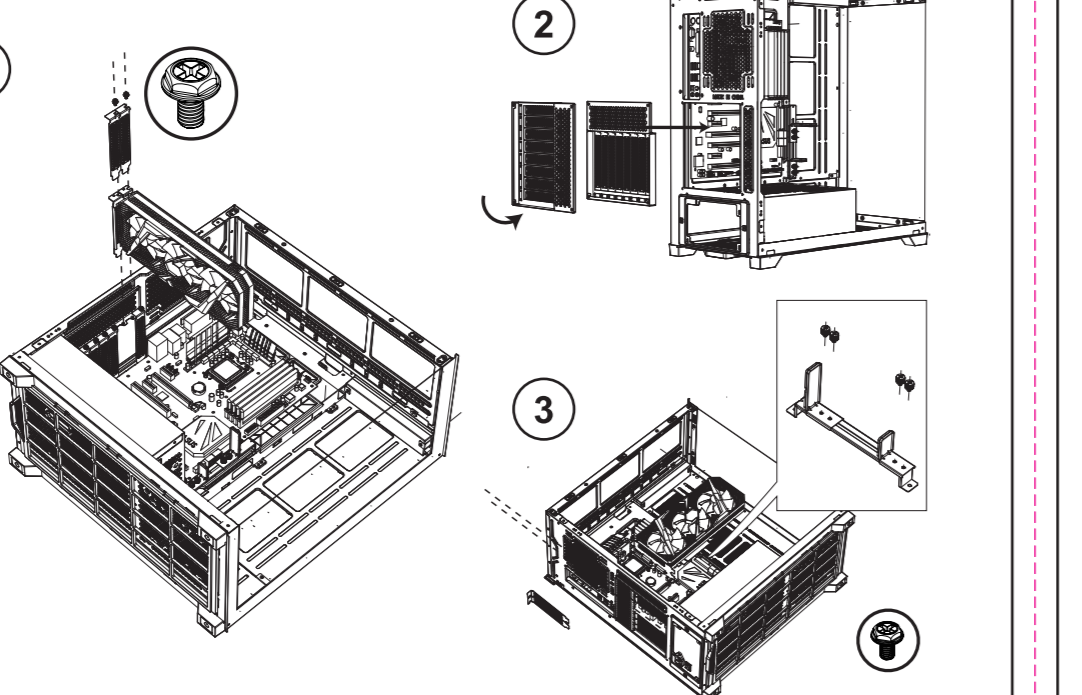
**3.5" HDD AND 2.5" SSD ASSEMBLING**



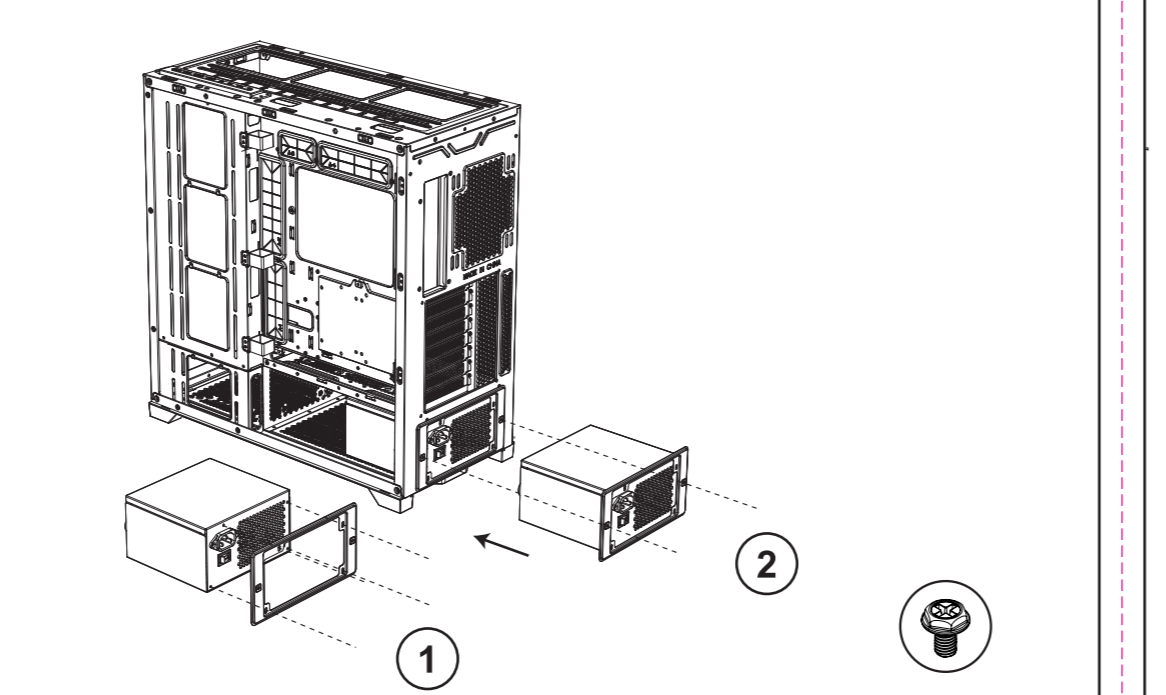
### 3.5" HDD AND 2.5" SSD ASSEMBLING



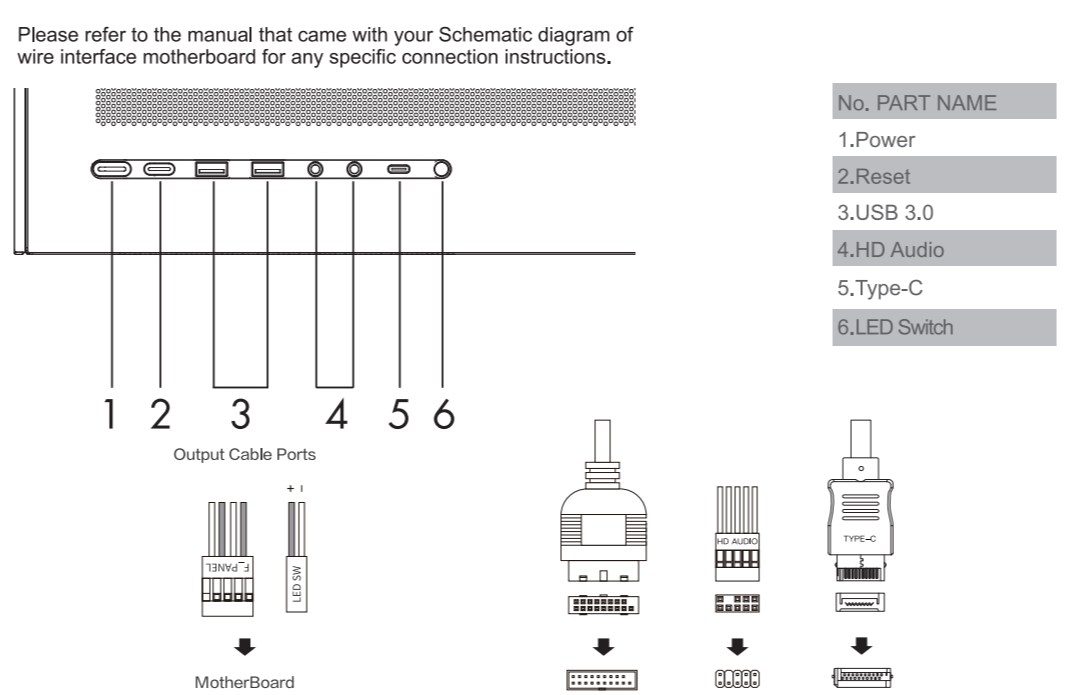
### GPU ASSEMBLING



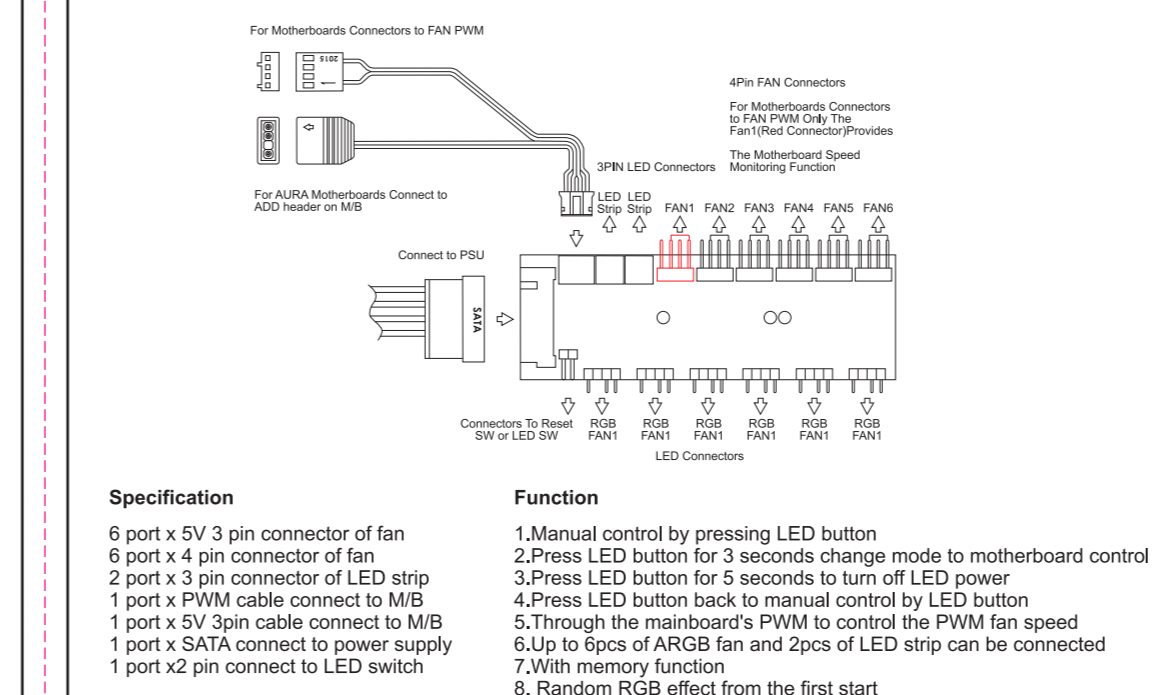
### PSU ASSEMBLING



### CABLE CONNECTION



### WIRING DIAGRAM OF ARGB HUB



### HOW TO USE MANUAL CONTROL



### HOW TO USE AURA ADAPTER TO CONTROL BY MOTHERBOARD

