

IDX4-MicroATX -ARGB

Dear customers

Thanks for purchasing our computer case. Please read through the entire manual before installation. If you received your case damaged, missing parts or having any other questions, please feel free to email us at support@mydiy pcsa.com

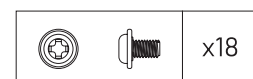
Warning

Installation must be performed with power supply off at all time, otherwise electrical damage on the computer case may occur. Please double check on all the connections before turning on the power supply for testing

General information of DIYPC support.

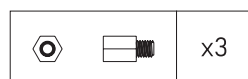
We provide 1 year manufacturer warranty on all computer cases we sell, for all the components, including all the electronic parts such as fans, audio jet, power switch etc. But we do not cover shipping damage or physical damage or any wear and tear, or any damage due to installation, or any damage due to improper usage

ACCESSORIES



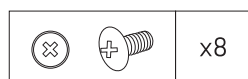
x18

MOTHERBOARD SCREWS



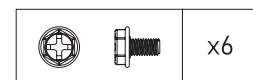
x3

MOTHERBOARD STAND



x8

HDD SCREWS



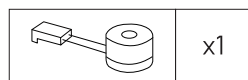
x6

PSU SCREWS



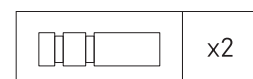
x5

ZIP TIE



x1

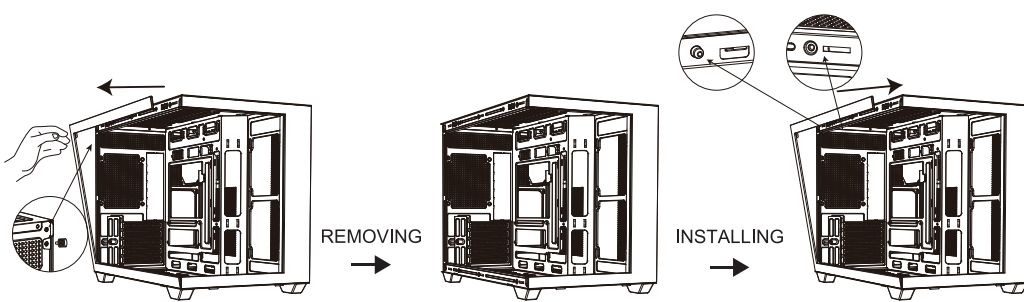
BUZZER



x2

SNAP BUCKLE

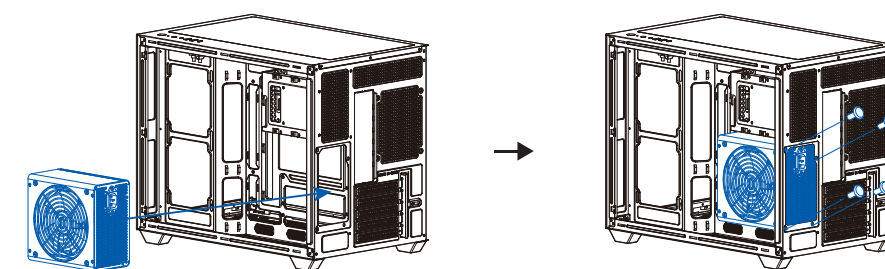
REMOVING AND INSTALLING SIDE PANEL



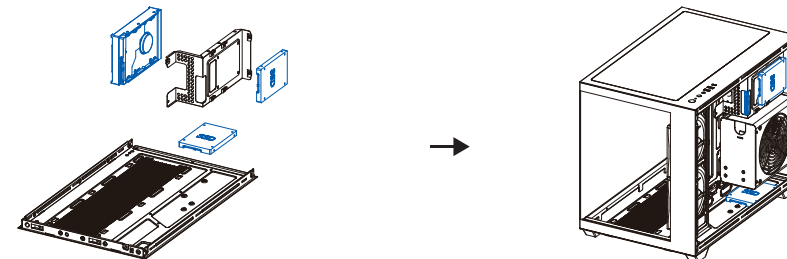
Remove the screws and pull the paddle to open the side panel

Align with the snap-on position, install the side panel and then tighten the screws

PSU ASSEMBLING



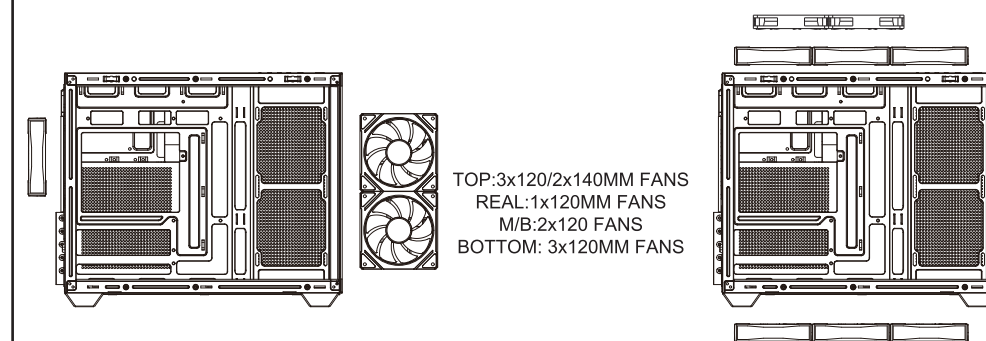
3.5" HDD AND 2.5" SSD ASSEMBLING



1x 2.5" SSD can be installed on bottom of the case, and 1x 2.5" SSD on the hard drive bay and 1x 3.5" HDD inside the hard drive bay

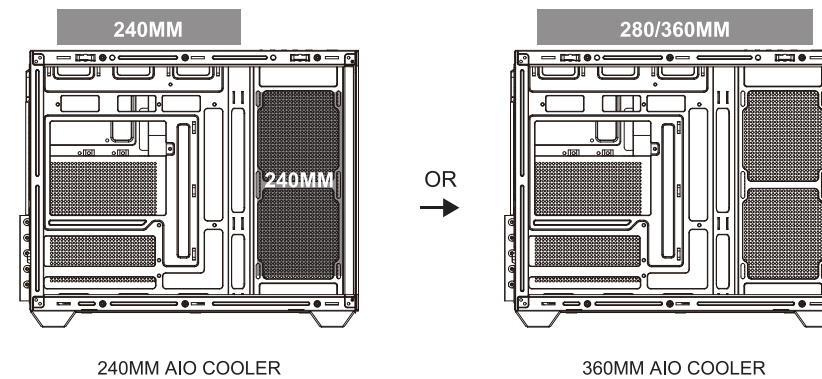
The hard drive bay should be placed behind the motherboard, below the PSU

FAN ASSEMBLING



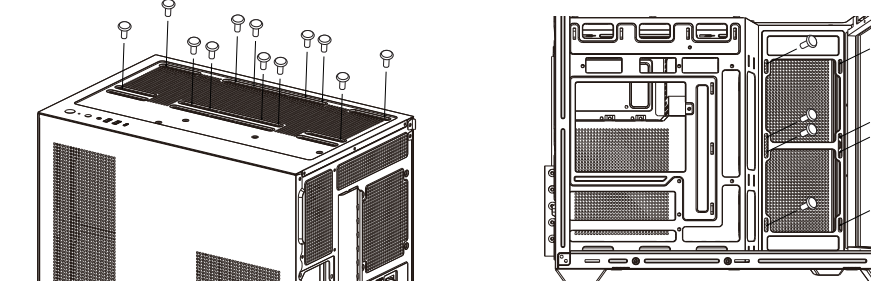
TOP: 3x 120/2x 140MM FANS
REAL: 1x 120MM FANS
M/B: 2x 120 FANS
BOTTOM: 3x 120MM FANS

AIO COOLER ASSEMBLING



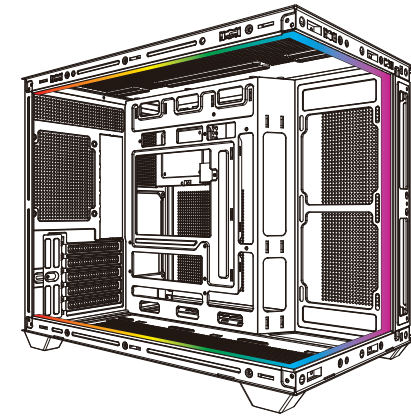
240MM AIO COOLER

360MM AIO COOLER

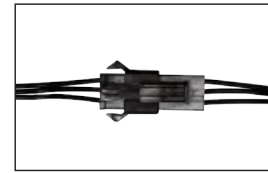


For 240MM AIO COOLER, can be installed on the top or motherboards. If the motherboards has fans, please remove the fans first. For 280/360MM AIO COOLER, only can be installed on the top.

ARGB LIGHT STRIP ASSEMBLING



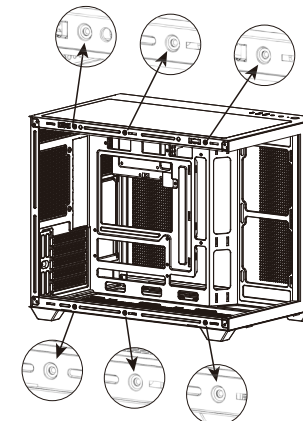
The chassis is equipped with five separate ARGB light strips.



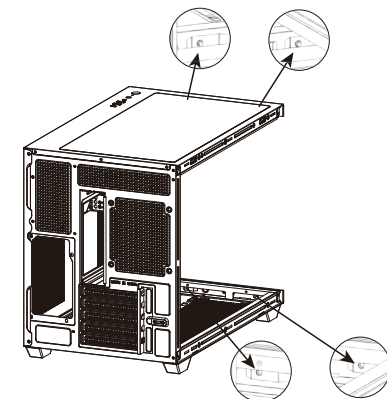
Each light strip is connected via male and female connectors, easy to DIY replace when it is needed



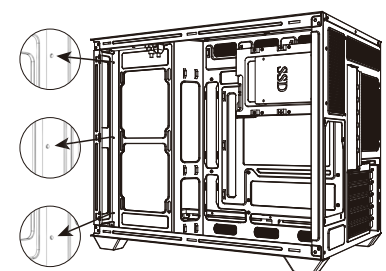
Connect 5V3pin connector to the controller



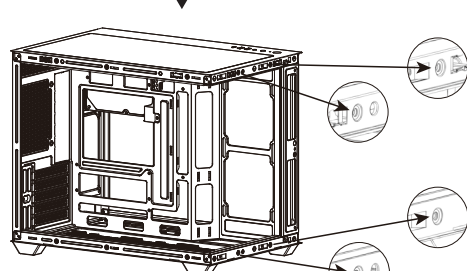
Open the left side glass, and then remove the screws to disassemble ARGB light strips



Open the front side glass by removing the screws from the inside

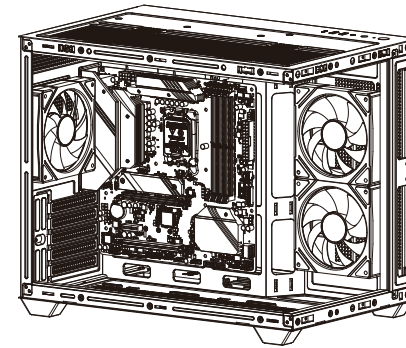
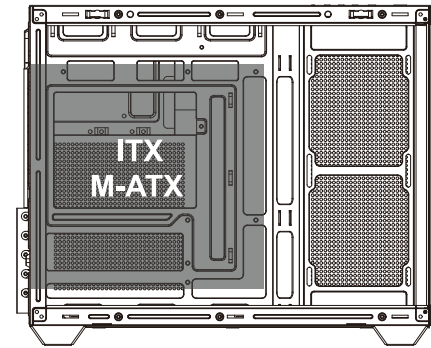


Remove the screws and gently push towards the back panel to open the right side panel, and then remove the screws to disassemble ARGB light strips

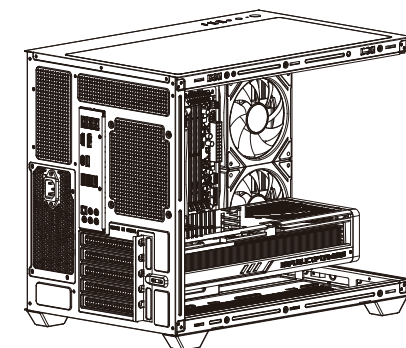
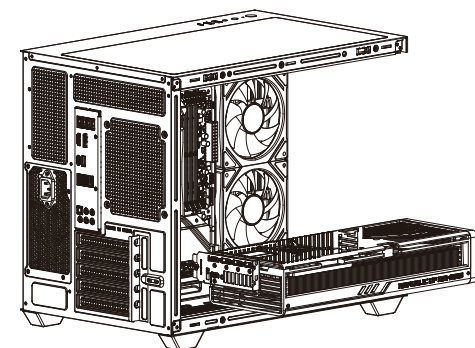


Remove the screws to disassemble ARGB light strips

MOTHERBOARD ASSEMBLING



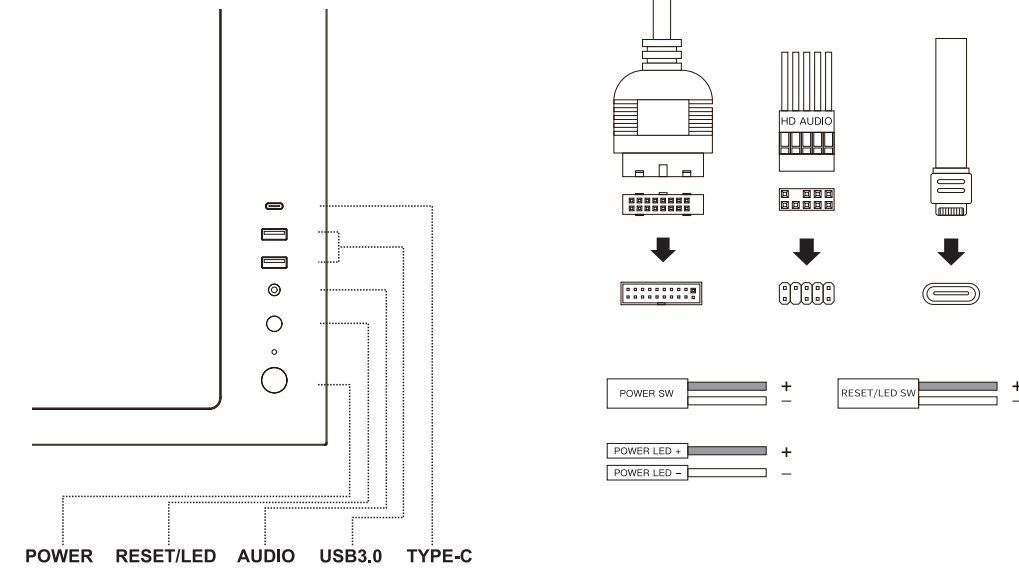
GPU ASSEMBLING



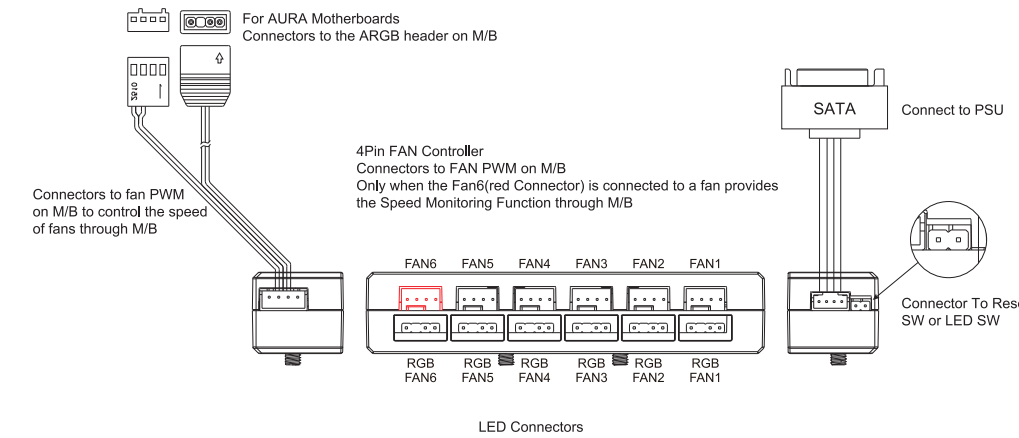
CABLE CONNECTION

Please refer to the manual that came with your motherboard for any specific connection instructions.

Schematic diagram of wire interface



WIRING DIAGRAM OF ARGB HUB



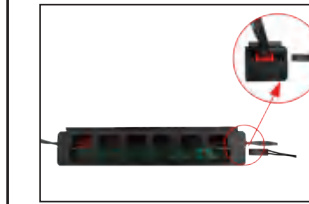
Specification

- 6 port x 5V 3 pin connector of fan
- 6 port x 4 pin connector of fan
- 1 port x PWM cable connect to M/B
- 1 port x 5V 3pin cable connect to M/B
- 1 port x SATA connect to power supply
- 1 port x 2 pin connect to LED switch

Function

1. Manual control by pressing LED button
2. Press LED button for 3 seconds change mode to motherboard control
3. Press LED button for 5 seconds to turn off LED power
4. Press LED button back to manual control by LED button
5. Through the mainboard's PWM to control the PWM fan speed
6. Up to 6pcs of ARGB fan
7. With memory function
8. Random RGB effect from the first start

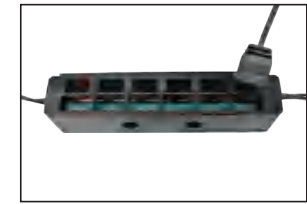
HOW TO USE MANUAL CONTROL



STEP I
Connect reset switch/led switch to 2 pin connector



STEP II
Connect fan 4 pin to regular fan connector



STEP III
Connect 5V 3pin to 5V 3 pin connector



STEP IV
Connect to PSU SATA connector



STEP V
Start manual control by pressing Reset/LED button

HOW TO USE AURA ADAPTER TO CONTROL BY MOTHERBOARD



STEP I
Please make sure the motherboard has 5V addressable RGB headers.



Find AURA adapter from ARGB hub.



STEP II
Connect AURA adapter (5V addressable 3 pin) from hub to 5V addressable RGB header from motherboard.

STEP III
Get AURA software from motherboard official website and install it to your computer (please make sure you already install AURA software to your computer before you connect AURA adapter to 5V addressable RGB header from motherboard then activate AURA system. There's an activation indicator in upper left corner or somewhere, it will be also depends on different motherboard.)

STEP IV
Press manual button on front panel for 3 seconds to switch to motherboard control, and press manual button for 1 second to switch back to manually control.

STEP V
Choose different color effects from AURA system after you switch it to motherboard control mode.