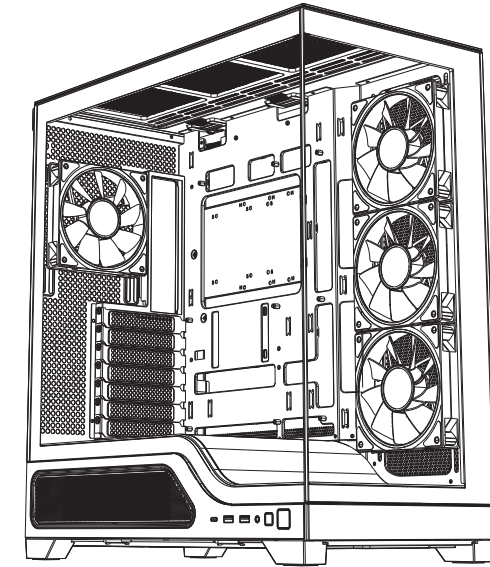




148.5mm



IDX5-BK-ARGB/IDX5-W-ARGB

105mm

Dear customers

Thanks for purchasing our computer case. Please read through the entire manual before installation. If you received your case damaged, missing parts or having any other questions, please feel free to email us at support@mydiypcusa.com.

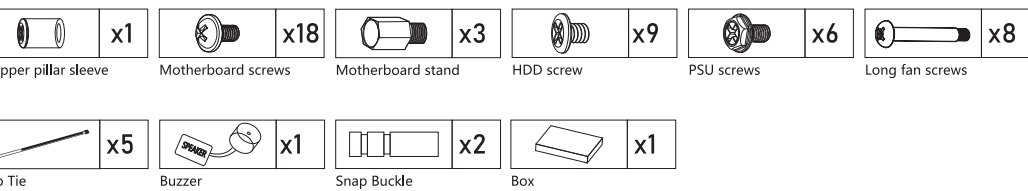
Warning

Installation must be performed with power supply off at all time, otherwise electrical damage on the computer case may occur. Please double check on all the connections before turning on the power supply for testing.

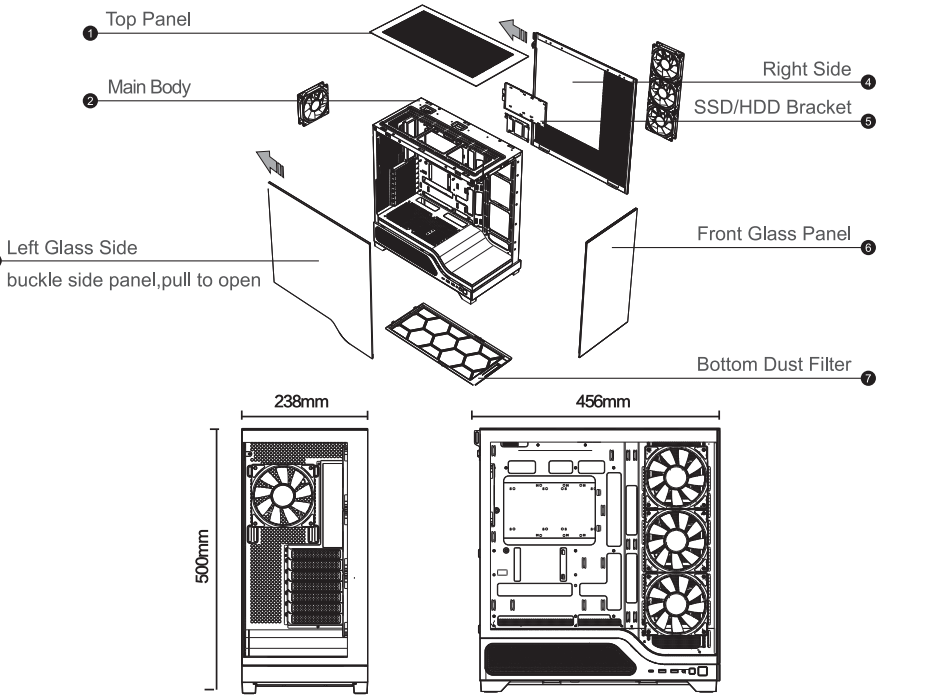
General information of DIYPC support

We provide 1 year manufacturer warranty on all computer cases we sell, for all the components, including all the electronic parts such as fans, audio jet, power switch etc. But we do not cover shipping damage or physical damage or any wear and tear, or any damage due to installation, or any damage due to improper usage.

ACCESSORIES



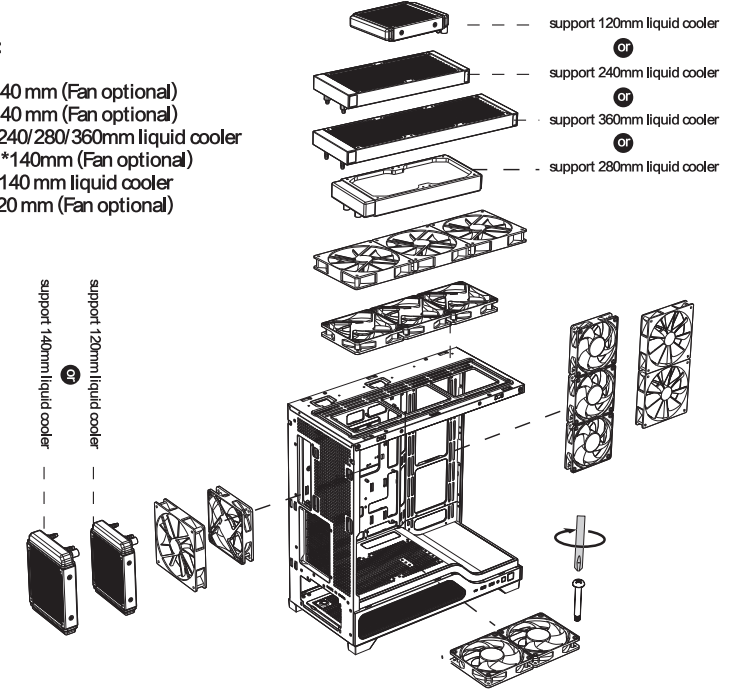
EXPLODED VIEW



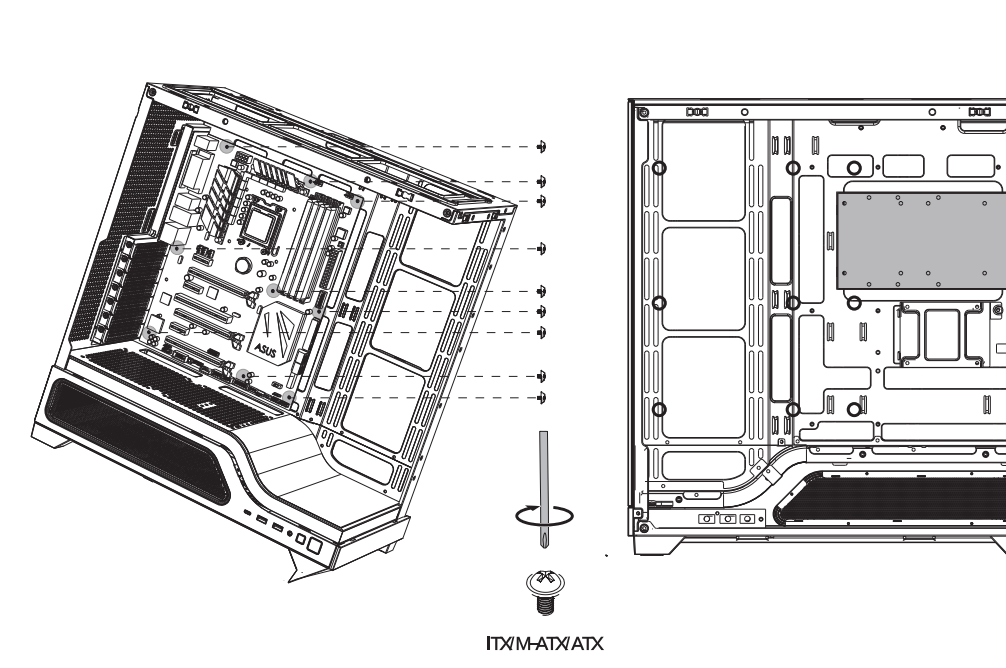
FAN AND RADIATOR ASSEMBLING

Reserved Fan Ports:

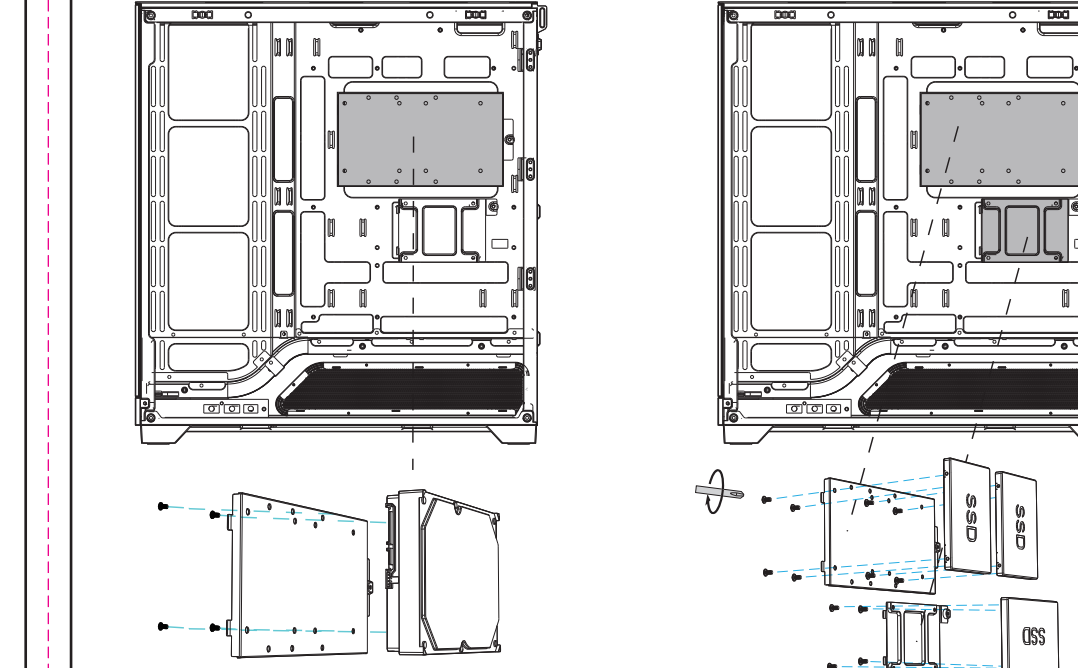
M/B: 3*120 or 2*140 mm (Fan optional)
 Top: 3*120 or 3*140 mm (Fan optional)
 support 120/240/280/360mm liquid cooler
 Rear: 1*120 mm/1*140mm (Fan optional)
 support 120/140 mm liquid cooler
 PSU chamber: 2*120 mm (Fan optional)



MOTHERBOARD ASSEMBLING



3.5" HDD AND 2.5" SSD ASSEMBLING



GPU ASSEMBLING

PSU ASSEMBLING

CABLE CONNECTION

Please refer to the manual that came with your Schematic diagram of wire interface motherboard for any specific connection instructions.

No.	PART NAME
1.	Power Switch
2.	LED Switch
3.	HD Audio
4.	USB3.0
5.	TYPE-C

WIRING DIAGRAM OF ARGB HUB

For Motherboards Connectors to FAN PWM

4Pin FAN Connectors
For Motherboards Connectors to FAN PWM Only The Fan1(White Connector)Provides The Motherboard Speed Monitoring Function

Connect to PSU

For AURA Motherboards Connect to ADD header on M/B

Specification

- 8 port x 5V 3 pin connector of fan
- 8 port x 4 pin connector of fan
- 1 port x PWM cable connect to M/B
- 1 port x 5V 3pin cable connect to M/B
- 1 port x SATA connect to power supply
- 1 port x2 pin connect to LED switch

Function

- Manual control by pressing LED button
- Press LED button for 3 seconds change mode to motherboard control
- Press LED button for 5 seconds to turn off LED power
- Press LED button back to manual control by LED button
- Through the mainboard's PWM to control the PWM fan speed
- Up to 8pcs of ARGB fan
- With memory function
- Random RGB effect from the first start

HOW TO USE MANUAL CONTROL

STEP I
Connect reset switch/led switch to 2 pin connector

STEP II
Connect fan 4 pin to regular fan connector

STEP III
Connect 5V 3pin to 5V 3 pin connector

STEP IV
Connect SATA connector

STEP V
Start manual control by pressing Reset/LED button

HOW TO USE AURA ADAPTER TO CONTROL BY MOTHERBOARD

STEP I
Please make sure the motherboard has 5V addressable RGB headers.

Find AURA adapter from ARGB hub.

STEP II
Connect AURA adapter (5V addressable 3 pin) from hub to 5V addressable RGB header from motherboard.

STEP III
Get AURA software from motherboard official website and install it to your computer (please make sure you already install AURA software to your computer before you connect AURA adapter to 5V addressable RGB header from motherboard then activate AURA system. There's an activation indicator in upper left corner or somewhere, it will be also depends on different motherboard.)

STEP IV
Press manual button on front panel for 3 seconds to switch to motherboard control, and press manual button for 1 second to switch back to manually control.

STEP V
Choose different color effects from AURA system after you switch it to motherboard control mode.